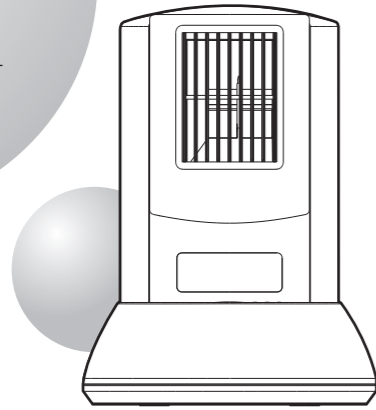


Negative Ion Generator

IG-E1J

User Manual



Thank you for purchasing IG-E1J.

- Please read this user manual thoroughly beforehand to use this machine correctly.
- Be sure to read the 'Safety Precautions' in this manual as it contains information essential to ensure safety during usage.
- Please ensure that you have filled in the 'Dealer Name and Date of Purchase' on the warranty card (separately attached) and keep safely together with this manual.

Repair, Service, Guarantee (Warranty)

Repair Service

- When abnormality occurs during use, discontinue the use immediately and consult your dealer with your product name, model and date of purchase.
- Please contact your dealer first for repairs after the warranty period. Cost of repair will be charged based on customer's request if functions can be maintained by repair.

Guarantee (Warranty)

- Warranty card is attached to this product.
- The warranty card will be given to you by the dealer. Please ensure that the date of purchase and name of dealer are stated before accepting the warranty card.
- This warranty serves as our promise to provide free repair in the event that the machine breaks down within the warranty period during normal use in accordance with the user manual and precautions stated on the label that is attached to the body of the machine.

Cost of repair will be charged under the following circumstances even during the period of warranty.

- (1) Damage and breakdown due to unwarranted repair, modification and misuse.
- (2) Damage and breakdown due to drop and transportation after purchase.
- (3) Damage and breakdown due to fire, natural disasters (earthquake, wind and flood damage, lightning and etc), sea breeze, gas and abnormal voltage.
- (4) Warranty card not submitted.
- (5) When date of purchase, name of customer, name of dealer are not written, or being altered.
- (6) Damage or breakdown due to use of improper consumables or non-standard replacement parts.
- (7) Replacement of consumables due to depletion.

Holding period of repair parts

- We hold repair parts for the negative ion generator for 8 years after the product is discontinued. "Repair parts" means necessary components to maintain functions of the product.

Safety precautions

Please read and follow the below instructions carefully so as to avoid causing harm to the user and other parties or damage to properties. Please read and adhere strictly to the below (signs and symbols).

- The damage and danger which may occur in the incidence of misuse are classified as follows.

	Warning	This sign indicates the 'possibility of causing death or serious injury' when the device is not handled correctly.
	Caution	This sign indicates the 'possibility of causing serious injury or damage to properties' when the device is not handled correctly.
■ Please observe the following instructions.		
	Prohibition	This sign indicates the 'prohibited' actions. The details are indicated in picture or words near the symbol.
	Compulsory	This sign indicates 'compulsory' actions. The details are indicated in picture or words near the symbol.

Disclaimer

- Our company shall not be liable for any damage caused by fire, earthquake, third party actions, other accidents, customer's willfulness or negligence, or usage under abnormal conditions.
- Our company shall not be liable for any damage incidental to the usage and non-usage of this product.
- Our company shall not be liable for any damage occurred due to customer's failure to comply with instructions on the manual.
- Our company shall not be liable for any damage resulting from malfunction caused by combination with connected device.

Warning

- ⊘ DO NOT dismantle, repair or modify the device. It may cause fire, abnormal operation or injury. Please contact your dealer with regards to repair.
- ⊘ DO NOT touch and reseat AC adaptor with wet hands. It may cause electric shock, failure or malfunction of the device.
- ⊘ DO NOT put device at places with high humidity or where it may get wet such as the bathroom. It may cause electric shock.
- ⊘ DO NOT allow device to suck in flammable materials. It may cause fire or explosion.
- ⊘ DO NOT put fingers or foreign objects into the air outlet and the suction port. It may cause injury or malfunction.
- ⊘ DO NOT place cup or container with liquid nearby. The liquid may spill and enter the device, causing fire or electric shock. In the event that liquid enters the device, switch off the power and stop usage immediately.
- ⚠ In the event that the device produces abnormal smell, noise or smoke, switch off the power immediately and remove AC adaptor from the power socket. Continued usage may result in fire.
- ⚠ Please observe the following when handling the power cord. DO NOT damage, modify, splice the device, bend forcefully, twist or stretch cords, place thing on top, crush the device by placing table or furniture on top of it, be stuck in the door, overheat, place near to heating equipment, nail or bundle the remaining cords. Failure to comply may result in fire or electric shock. Replace cords with new one if damaged.
- ⊘ DO NOT insert or remove AC adaptor with wet hands. Danger of electric shock.

- ⚠ Always use the accessories on AC adaptor. Use of non-standard accessories may cause damage or fire.
- ⚠ Insert power plug into AC 100~240V outlet for household use.
- ⚠ Be careful not to prick your fingers when cleaning the electrode (discharge needle). Also, take care not to damage or deface the electrode. Failure to do so may result in injury and breakdown.

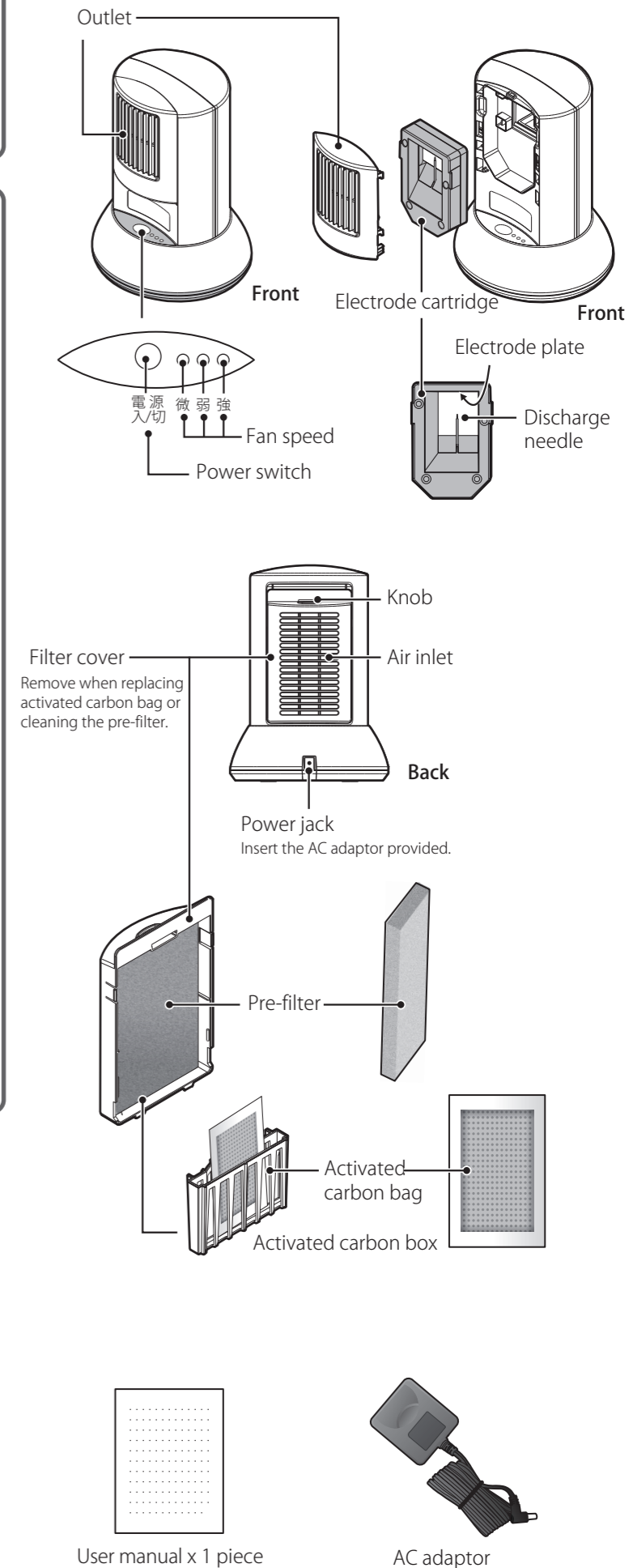
Caution

- ⊘ DO NOT pull cords when disconnecting the AC adaptor. Cords may be damaged, causing fire and electric shock. Please hold and pull out the plug.
- ⊘ Keep away from fire or flammable objects such as cigarettes. Failure to do so may result in fire or breakdown.
- ⚠ Stop the device when using fumigation-type insecticide for indoor purpose. Possibility of chemical accumulation within the device, causing health hazard.
- ⊘ Please do not use at places where oil components such as machinery and aroma oil are floating densely. Failure to do so may result in breakdown.
- ⊘ DO NOT place near stove or under direct sunlight. Failure to do so may result in breakdown, deterioration, deformation or discoloration.
- ⊘ DO NOT place near sources of magnetic fields such as magnet and speaker. Failure to do so may result in breakdown or malfunction.
- ⊘ Please do not use near electronic devices including a television. Failure to do so may result in breakdown or malfunction.
- ⊘ DO NOT block the air outlet or the suction port. Failure to do so may result in breakdown.
- ⊘ DO NOT place or drop anything on top. Failure to do so may result in damage or breakdown.
- ⊘ DO NOT use benzene or thinner when caring for the product. Failure to do so may result in deterioration, deformation or discoloration.

Specifications

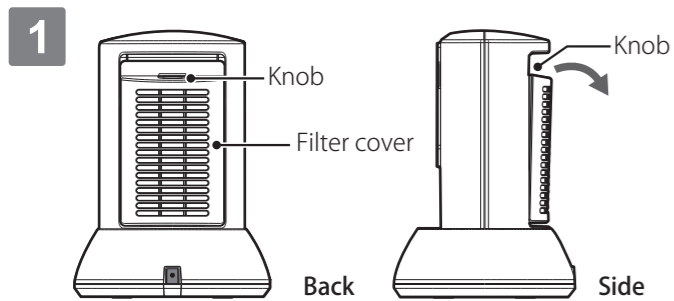
Model	IG - E1J - R2
Dimensions Height x Width x Depth	265 x 196 x 180 (mm)
Weight	1.3 kg
Air volume (m ³ /h)	Strong:43, Medium:34, Weak:24
Noise level (dB)	Strong:57, Medium:53, Weak:47
Electrical consumption (W)	Strong:7, Medium:5.5, Weak:4
Accessories	AC adaptor, Power cord, Pre-filter, Activated carbon bag, User manual

Parts and accessories

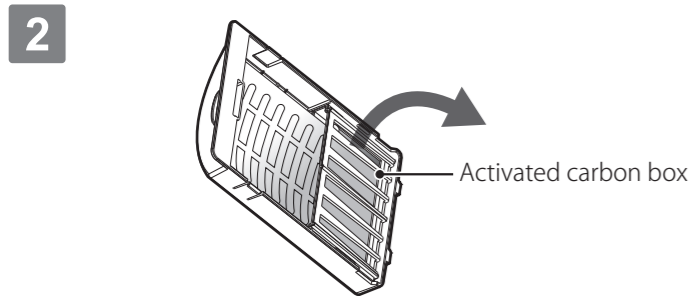


Please note that the specifications and appearance of the product may be subject to change without prior notice for reasons such as improvement.

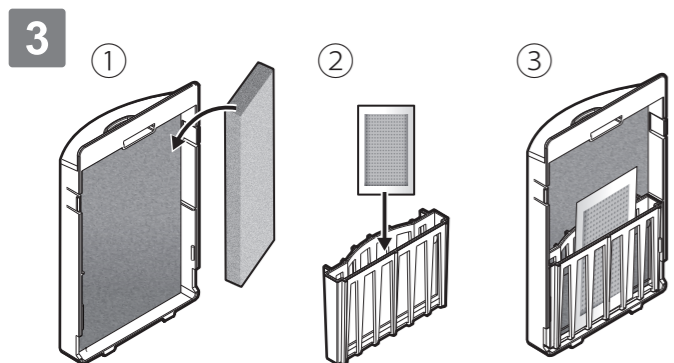
Before using IG-E1J



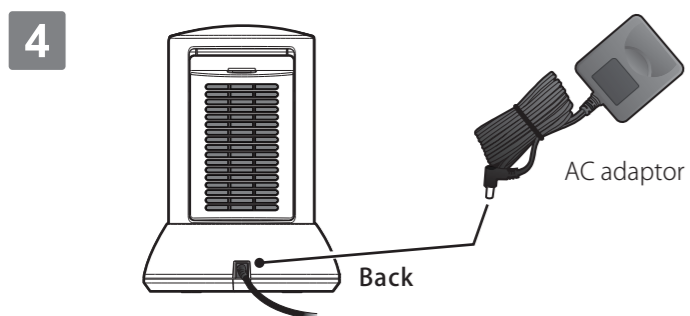
- Hook the knob of the filter cover with your finger and pull outwards in the direction of the arrow.



- Pull the activated carbon box in the direction of the arrow.

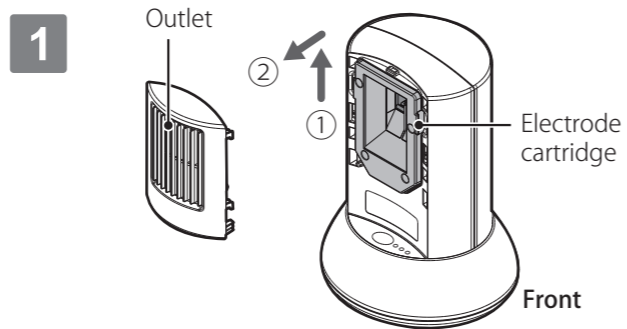


- ① Insert the pre-filter.
- ② Insert the activated carbon bag into the activated carbon box.
- ③ Attach the activated carbon box onto the filter cover.

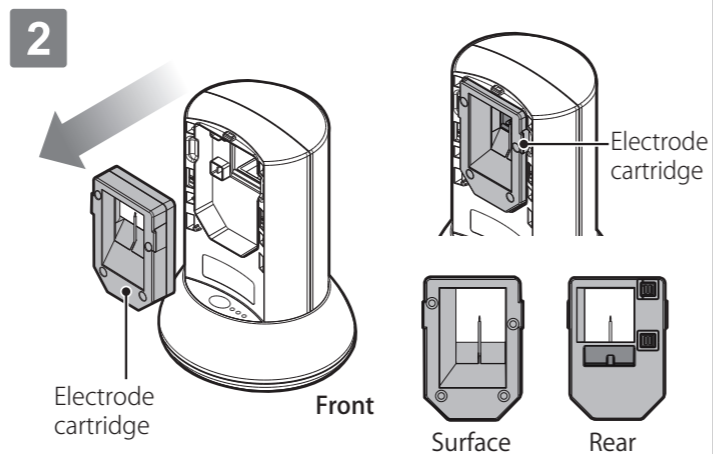


- Attach the filter cover to the main body. Then insert the AC adaptor into the main body and plug it in.

How to replace electrode cartridge



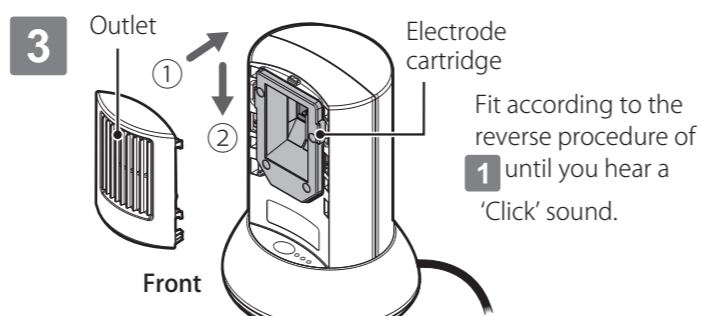
- Switch off the power and unplug the AC adaptor
 - ① Slide the air outlet upwards.
 - ② Pull it towards you to remove.



- ① Pull the electrode cartridge towards you and remove.
- ② Push the new cartridge all the way in with its back facing the main unit and set into the body.

Caution

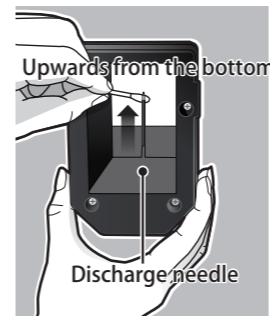
DO NOT use old cartridges as it may not be able to perform sufficiently. Dispose of used electrode cartridges properly in accordance with the local regulations.



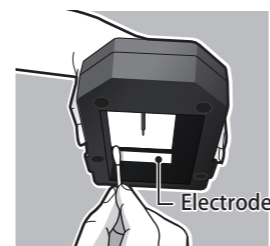
Caution

Note: The power may not turn on if the outlet is not set properly.

Caring for the electrode cartridge / About once in a month



- Switch off the power and unplug the AC adaptor from the unit. Remove the electrode cartridge according to the procedure shown on left diagram 1 2.
- Move the cotton swab upwards from the bottom to remove the dust on the tip of the discharge needle.



- Use a slightly dampened cotton swab to remove dirt from the electrode plate.
- Subsequently, use a dry cotton swab to wipe it dry.

Caution

- Be careful not to prick your fingers when cleaning the discharge needle.
- Remove the dust or dirt from the discharge needle and electrode plate regularly to ensure negative ions concentration.

Electrode cartridge lifespan

Guideline for replacement: about 14 months

- DO NOT continue to use.

Caring for the pre-filter / About once in a month



- Wash with mild detergent or vacuum to remove dust. Air-dry and attach when it is fully dried.

Please read 'Before using IG-E1J' on the left on the method of attachment.

Pre-filter lifespan

Guideline for replacement: about 12 months

- DO NOT continue to use.

Activated carbon bag lifespan

Guideline for replacement: about 3 months

- The active carbon bag cannot be cleaned. The absorbed dusts cannot be removed even if you wash.

DO NOT continue to use.
DO NOT wash.

- Please check the following before contacting for repair service.

Trouble	What to Check	How to Fix
The device does not work after pressing the power switch.	Is the AC adaptor properly connected?	Connect the AC adaptor properly.
Amount of air from the air outlet has become less.	Is there any dust or dirt attached to the pre-filter?	Check 'Caring for the pre-filter' and clean it.
Strange odor is produced.	Is there any dust or dirt attached to the pre-filter?	Check 'Caring for the pre-filter' and clean it.
	Is there any dust or dirt attached to the discharge needle or electrode plate?	Check 'Caring for the electrode cartridge' and clean it.
	Has the activated carbon bag expired?	Replace with a new one.

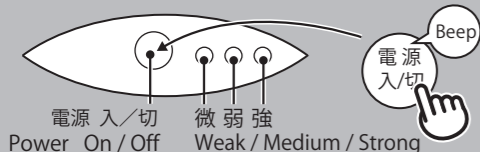
Consumables

Pre-filter	Replace in about 12 months
Activated carbon bag	Replace in about 3 months
Electrode cartridge	Replace in about 14 months

Based on 12-hour usage per day as guide. Varies depending on operating environment.

Checking of operation

Please check to ensure that the fan speed changes from Weak → Medium → Strong → Off each time you press on the power switch.



Manufacturer & Distributor

RELTEC Medical Devices Corporation
レルテック医療器株式会社

3795-1, Kawatsu-cho, Sakaide City, Kagawa, 762-0025, Japan
E1J-R2-24.06(E)